



THE Integra CHAIR

Comfort and Appeal

Add intrigue to your facility with the stunning new Integra Chair from Irwin! With its thoughtful contours, spacious seating area and multiple upholstery options, no other chair compares to Integra's beauty and comfort. And let's not forget about durability - engineered and tested to withstand over 700 pounds, the Integra Chair is the perfect choice for any seating venue.

*...a Whole New Standard
in Platform Seating!*

IRWIN TELESCOPIC SEATING COMPANY



Integra with upholstered pads

Features & Benefits

- Sleek new design featuring modern shapes and style lines
- Comfortable design with proper contours and seat/back pitch
- Generous seating space
- Available in Manual fold with Foot Release or Semi-Automatic
- Armrest options include plastic or cupholder
- Stylish row letters and seat numbers
- Quiet and dependable seat rising mechanism
- Available in all plastic or with upholstered pads
- Easily installed
- Beam mounted design allowing for flexible chair spacing

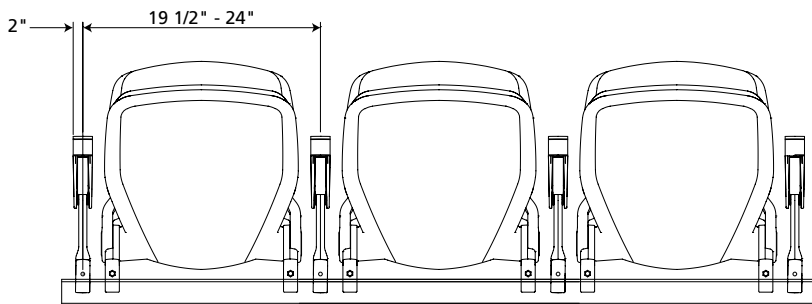


Integra with plastic seat and back

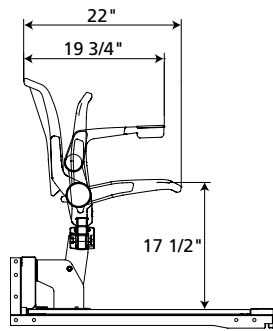
Technical Requirements

- Available with a minimum of 10" rise
- Available with a minimum of 31" row spacing
- Minimum chair size is 18" without arms, 19 1/2" with arms
- Cupholder arm requires minimum of 20" chair spacing

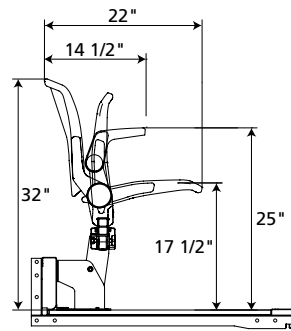
Dimensional Information



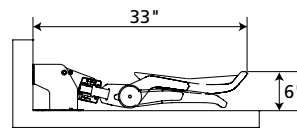
Chair spacing options



Cupholder arm



Standard arm



Folded position



Row letter and seat number options

